



GRAESSNER

MS-Graessner GmbH & Co. KG

THE GEAR COMPANY

Product Overview

www.graessner.de

DYNA GEAR



The high dynamic right angle gearbox

- Hypoid gear sets
- High input speed at middle and highest torque
- Ratios $i = 3:1$ up to $30:1$, single-stage
- Ratios up to $150:1$ in two-stages
- Torque up to 1440 Nm
- Flexible motor mounting via coupling and lantern
- Low backlash $\leq 2 \text{ arcmin}$
- Variable ratios within one gearbox size

DYNA GEAR *Economy*



The cost optimized right angle gearbox

- Hypoid gear sets
- High input speed at middle torque
- Ratios $i = 5:1, 8:1, 10:1$ and $15:1$, all single-stage
- Torque up to 260 Nm
- Flexible motor mounting via coupling and flange
- Backlash $\leq 6 \text{ arcmin}$
- Variable ratios within one gearbox size

DESIGN GEAR



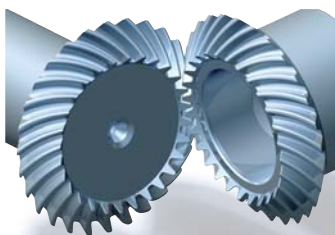
The customized special gearbox

- Single-stage gearboxes available as gear-change and reversing gearbox types
- Forced-circulation oil lubricated gearboxes for high speed and torque
- Labyrinth sealed gearboxes of an efficiency $> 99\%$
- Special-purpose design gearboxes with additional elements for use as functional units
- Wide range of options available on request

Gearing precision with performance.

A bevel gear on its own is insignificant. Incorporated into a system, comprising the housing, shafts, flanges and especially the bearing system, the bevel gear can fulfil its task. MS-GRAESSNER is always a step ahead with more than 60 years experience. Either in gear teeth cutting or in gear construction, intelligent solutions for the various branches and applications make MS-GRAESSNER a reliable partner of the industry.

BEVEL GEAR



Spiral-, Hypoid and Zerol® Bevel Gears

- Standard range of products and custom-made versions
- Module m_s from 0.5 to 12
- Diameters up to 410 mm
- Shaft angle from 10° to 170°
- More than 60 years of experience
- In-house gearing calculations
- We manufacture to your drawing or advise you of possible alternatives
- Milled or ground gear tooth cutting

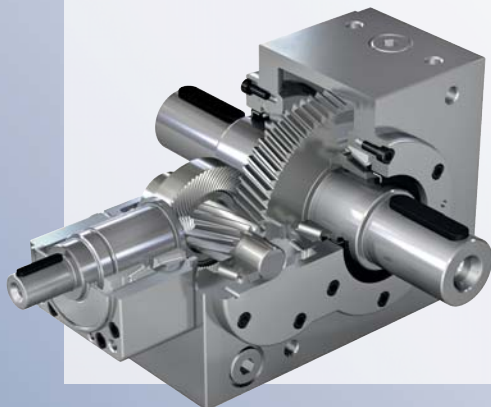
POWER GEAR



The high torque distribution gearbox

- Highest torque within small gearbox size
- For highest input speed
- Ratios $i = 1:1$ up to $5:1$
- Torque up to 7000 Nm
- Output via solid and hollow shaft
- Motor mounting either directly or via coupling and lantern
- Variable ratios within one gearbox size

KS TWINGEAR



The bevel helical gearbox

- Two-stage bevel helical gearbox with ratios of up to 75:1
- Torques up to 7500 Nm
- Torsional backlash < 6 arcmin
- Compact design
- Motor mounting either directly or via coupling and lantern
- High torsional stiffness
- High input speeds at high torques
- Variable ratios within one gearbox size

DYNA GEAR

The highly dynamic servo right angle gearbox



DYNA GEAR *Economy*

The cost-effective servo right angle gearbox



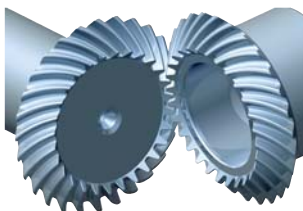
DESIGN GEAR

The customised gearbox



BEVEL GEAR

Spiral, Hypoid and Zerol Bevel Gears



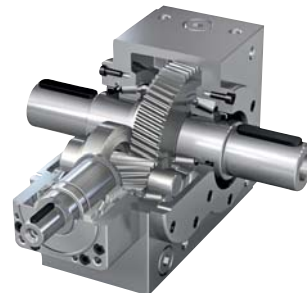
POWER GEAR

The high performance bevel gearbox



KSTWIN GEAR

The bevel helical gearbox



Germany



MS-GRAESSNER GmbH & Co. KG
 THE GEAR COMPANY
 Kuchenäcker 11
 72135 Dettenhausen
 Phone: +49 (0) 7157 123-0
 Fax: +49 (0) 7157 123-212
 E-Mail: mail@graessner.de
www.graessner.de

Austria



GRAESSNER GmbH
 Perfektastraße 61
 Objekt 6/2
 1230 Wien
 Phone: +43 (1) 69924 30-0
 Fax: +43 (1) 69924 30-20
 E-Mail: graessner@graessner.at
www.graessner.at

For more information on MS-GRAESSNER's worldwide distribution network, please visit:
www.graessner.de